

Pagoda High Pressure Needle Nozzle

一、 Basic Style

CY19124/CYB1/4PT



Common stainless steel

CYB1/Φ TL



Common stainless steel for lengthen type

CYB1/4PT-SSCER



Standard SS with ceramic

CYB1/4PTL-SSCER



Common SS with ceramic for lengthen type

CY48460/CYB1/4PT-SSRBY



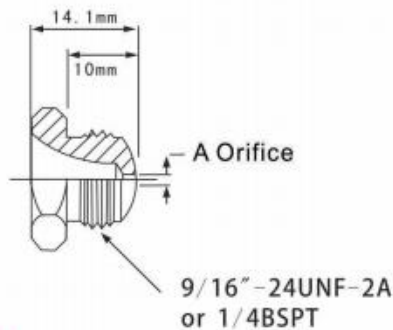
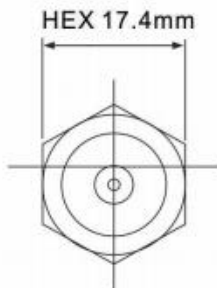
Standard SS with ruby

CYB1/4PTL-SSRBY



Common SS with ruby for lengthen type

二、 Basic size



Application

- High pressure swing cleaning of long net part
- High pressure swing cleaning of squeezing part
- Cleaning of blind hole roller
- Cleaning of groove roller

Performance Data

Nozzle size	Equivalent diameter nozzle	Capacity liters per minute								
		3Bar	4Bar	5Bar	7Bar	15Bar	30Bar	40Bar	50Bar	60Bar
CY19124-14-316SS	0.36	0.12	0.13	0.15	0.17	0.25	0.37	0.42	0.47	0.51
CY19124-28-316SS	0.71	0.42	0.48	0.54	0.63	0.93	1.3	1.5	1.7	1.9
CY19124-33-316SS	0.84	0.62	0.73	0.81	0.95	1.4	2.0	2.4	2.7	2.9
CY19124-40-316SS	1.02	0.89	1.0	1.1	1.4	2.0	2.8	3.2	3.6	3.9
CY19124-55-316SS	1.40	1.6	1.9	2.1	2.4	3.6	5.0	5.8	6.5	7.0
CY19124-70-316SS	1.78	2.7	3.1	3.5	4.2	6.1	8.8	10	11	13
CY19124-94-316SS	2.39	4.5	5.2	5.9	7.0	10	15	18	20	22
CY19124-125-316SS	3.18	7.3	8.5	9.6	11	17	25	30	33	37

PT Performance Data <BSPT1/4 Thread>

Nozzle Model		Orifice diameter (mm)	Capacity(L/min)											
			3Bar	5Bar	7Bar	10Bar	15Bar	20Bar	30Bar	40Bar	50Bar	60Bar	70Bar	80Bar
Standard	lengthen													
CYB1/4PT-SS	CYB1/4PTL-SS	0.8	0.54	0.70	0.83	1.00	1.22	1.41	1.73	2.00	2.23	2.45	2.64	2.83
		0.9	0.69	0.89	1.05	1.26	1.55	1.79	2.19	2.53	2.83	2.10	3.35	3.58
		1.0	0.85	1.10	1.30	1.56	1.91	2.21	2.70	3.12	3.49	3.83	4.13	4.42
CYB1/4PT-SSCER	CYB1/4PTL-SSCER	1.2	1.23	1.59	1.88	2.25	2.75	3.18	3.90	4.50	5.03	5.51	5.95	6.36
		1.5	1.92	2.48	2.94	3.51	4.30	4.97	6.09	7.03	7.86	8.61	9.30	9.95
CYB1/4PT-RBY	CYB1/4PTL-RBY	1.8	2.77	3.58	4.23	5.06	6.20	7.16	8.77	10.1	11.3	12.4	13.4	14.3
		2.0	3.42	4.42	5.23	6.25	7.66	8.84	10.8	12.5	13.9	15.3	16.4	17.6

CY 48460 Ruby Inlay

Nozzle Model	Inch	Nozzle Model	Inch
CY48460-15-316RBY	0.015" [0.38mm]	CY48460-35-316RBY	0.035" [0.89mm]
CY48460-20-316RBY	0.020" [0.51mm]	CY48460-40-316RBY	0.040" [1.02mm]
CY48460-25-316RBY	0.025" [0.64mm]	CY48460-40-316RBY	0.045" [1.14mm]
CY48460-30-316RBY	0.030" [0.76mm]		

Ordering info

一、Stainless Steel Series

1、**CYM19124-40-316SS**(M14x1.0 thread connection)

Model Aperture Series Material Series

2、**CYB19124-40-316SS** (BSPT 1/4 Thread Interface)

Model Aperture Series Material Series

3、**CY19124-40-316SS**(9/16-24UNF-2A thread connection)

Model Aperture Series Material Series

4、**CYB1/4PT-SS1.0** (BSPT 1/4 Thread Interface)

Standard Aperture Series

二、Ceramic inlay Series

6、**CYB1/4PT-SSCER-1.0**(BSPT1/4 Thread Interface)

Standard Ceramic inlay stainless steel Aperture Series

5、**CYB1/4PTL-SS1.0** (BSPT 1/4 Thread Interface)

Model Aperture Series

7、**CYB1/4PTL-SSCER-1.0** (BSPT 1/4 Thread Interface)

lengthen Ceramic inlay stainless steel Aperture Series

三、Ruby Series

8、**CYB1/4PT-SSRBY-1.0**(BSPT1/4 Thread Interface)

Standard Ruby the main stainless steel inlay Aperture Series

9、**CYB1/4PTL-SSRBY-1.0** (BSPT 1/4 Thread Interface)

lengthen Ruby the main stainless steel inlay Aperture Series

10、**CY48460-20-316RBY**(9/16-24UNF-2A Thread Interface)

Model Aperture Series 316 stainless steel main Ruby inlay